



i-milk mini Operating Manual

Please read thoroughly before use



Warranty

i-milk Pty Ltd warrants equipment sold against defects in parts other than consumables and workmanship for a period of twelve (12) months from the date of installation.

The warranty will be void if not installed in accordance with the directions from I-milk or if not used in accordance with the operating instructions in this manual.

i-milk recommend cleaning products which are proven to clean milk residues which may accumulate and stop your system operating. Failure to use a recommended cleaner will void this warranty.

Consumable Items included in the parts box are not covered by your warranty.

Your warranty will also be voided if:

1. Milk pumps may be damaged due to running them dry for extended periods.
2. Freezing the milk lines or even the milk in the pumps may also cause damage to the pumps and this will also void the warranty. Ensure your refrigeration is correctly adjusted to a temperature between 1 – 5 C.

If a warranty claim is to be made, please contact your distributor for further information or **warranty@i-milk.com.au**

i-milk is manufactured in Sydney, Australia by i-milk Pty Ltd.

For all operating and service enquiries please contact your distributor or i-milk.

24 hour hotline number: +61 3 9877 3995

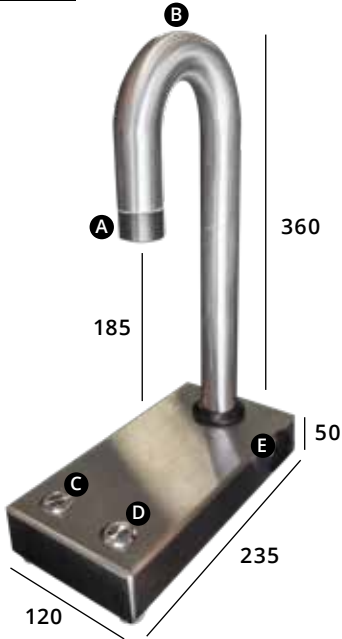
Email: service@i-milk.com.au

The machine is not for outdoor use.

Contents Page

Warranty	2
1. Familiarisation.....	4-5
2. Essential Maintenance.....	6
3. Loading Milk Bladders.....	7
4. Operating Instructions.....	8
5. Cleaning Instructions	9-11
6. Trouble Shooting.....	12
7. Technical Adjustments.....	13-14
8. Maintenance Records	15

1 Familiarisation

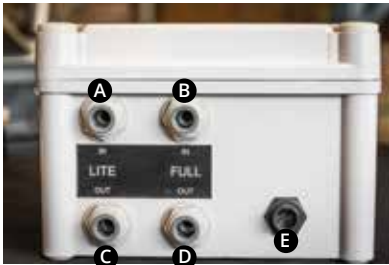


Dispensing Head

This dispenses the milk and should be installed on a flat horizontal surface.

- A Removable Milk Filter
- B Milk Font
- C Variety A Milk Button
- D Variety B Milk Button
- E Outlet for milk line and signal cable. Also accessible on opposite side of dispenser and underneath

Pump Box



This should be installed in a refrigerated environment, either floor or wall mounted. Installing in a non-refrigerated environment will void your warranty.

- A LITE IN
- B FULL IN
- C LITE OUT
- D FULL OUT
- E Pump Box Input

Power Supply



Each i-milk mini is supplied with a 110/220v converter with a plug suitable to use in the country of sale. These plugs are earthed and must not be substituted with non-earthed plugs.

The converter produces 24VDC 5A that operates the i-milk mini.

1 Familiarisation cont.

Milk Storage Systems

Milk is supplied for the i-milk system in many different formats. In Australia the most common is the 10 litre bladder available from milk processing companies. There are several storage systems available.

This manual describes the bladder system, but instructions relevant for using other bulk systems are available on request from:

enquiries@i-milk.com.au

The **Milkstak system** consists of crates that stack on top of each other and hold the milk bladders. This system is designed to be installed into existing refrigeration.

These systems must be installed in a permanently refrigerated environment that can hold temperatures between 1c – 5c constantly.



Emergency Taps

Two manual taps are supplied with each i-milk for emergency use so milk can be conveniently accessed direct from the bladders in the event of power or system failure.



Milk Filter Housing

i-milk is designed to pour a uniform, steady, non-turbulent stream of milk.

Daily Cleaning

Complete the required daily cleaning. Refer to page 10.

Weekly Maintenance, *suggest each Monday*

Inspect Milk Font Filter Housing. See page 11

Monthly Maintenance, *suggest 1st Monday of each month*

Lubricate “o” rings in each cleaning assembly point, located:

- in the fitting on each cleaning bucket
- in the pouring font – filter head connection point
- inside each cleaning sock

Use the Inox Food Grade lubricant supplied in a tube with your i-milk. Lubricate the “o” rings by applying the lubricant to the milk spigot or stem as you insert it in the fitting.

3

Loading The Milk Bladders



Settle the bladder flat on the base of the container with the connector nearest the cutout slot, face down. The bladder seal must be above the connector.



Lift the bladder to position and slide the bladder connector into the slot pushing it to the bottom of the slot as shown.

Take care when sliding bladder connector into slot. Otherwise the cap may be pulled off resulting in a loss of milk.



Connect to Milkstak

Stack the tubs adjacent to the daisy chain of spigots. Nesting tubs should be firm.

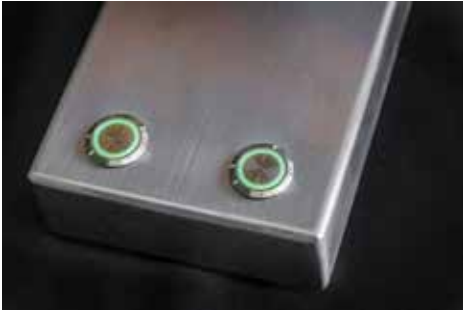


Remove (and retain) the black safety cap from the spigot, remove the travel cap from the bladder connector and push the spigot firmly into the connector.

Overfilled bags in Milkstak tubs may cause the stack to become unstable. This will rectify as milk is removed by the milk pumps.

4 Operating Instructions

To Pour Milk



When i-milk mini is connected to power the buttons will illuminate.



To pour milk variety A push the left button and release to stop the pour.



To pour milk variety B push the right button and release to stop the pour.



WARNING
Do not push both at the same time. As it will deliver 2 milk types at the same time.

5 Cleaning Instructions

Preparation

1



Remove each milk spigot and reseal the bladder connector using the milk transport seal. If this still leaks use the 1/2" bung supplied in your Parts Kit.

Leave the milk tubs in the fridge

Clean each spigot thoroughly with food grade sanitiser spray using a clean single use paper towel.

Complete for all spigots.



Connect each milk spigot into its cleaning sock.

Flush out milk lines with COLD water

2



To remove all milk residue from the plumbing, place a large container under the font.

Fill BLACK cleaning bucket with COLD (NOT HOT) water and connect as shown.

Press the left button to pump all milk from that source. Keep pumping until water runs clear.

Press the right button to pump all milk from that source. Keep pumping until water runs clear.

Disconnect the cleaning bucket and pump lines until water flow stops.

HOT Chemical Soak

Make up enough Cafetto Chemical Solution for the daily clean (50ml chemical for 1L water) with HOT (60C) water in White bucket.



Connect milk lines from both sources to bucket of chemical.



Recommended chemical to use.



Pump the cleaning solution using the left button until the chemical starts to pour into the jug. Push the right button to pump chemical into the other milk line.



Leave Chemical to soak for 5 minutes. Suggest use timer on phone as a prompt.

5

Cleaning Instructions cont.

4

Rinse Out Chemical



Disconnect the White chemical bucket and replace with Black bucket refilled with cold water.

Place a jug under the font.



Press left button until all chemical is removed and clear water is being pumped (empty jug)



Push right button until all chemical is removed and clear water is being pumped (empty jug)

Wipe the dispenser to complete the daily clean.

6

Trouble Shooting

Issue

i-milk is pouring frothy milk

Comments And Possible Solution

Possibly caused by the system sucking air when the pumps are active. Check that all quick fit plumbing connections are firm. Sometimes disconnecting and reconnecting is best as the leak may be hard to detect.

Ensure that there is no hole in the wall of one of the milk bladders attached to the system.

i-milk is squirting milk into the jug

Possibly caused by something blocking the filter housing on the end of the pouring font.

Remove the milk filter and clean it by following the instructions on page 10.

7 Technical Adjustments

To Clean the Milk Filter Housing



i-milk has a milk filter located on the front outlet. This black fitting delivers a uniform, steady, non-turbulent stream of milk. If the filter mesh becomes blocked it may cause the milk to squirt or froth.

To remove the milk filter rotate it as you pull it down.

If debris has collected on the visible filter mesh carefully reverse flush it.

Replace the filter into the front rotating it as you push it in place and test the milk flow.

If the milk flow is still not satisfactory carry out the monthly cleaning process outlined below.

Monthly Milk Filter Cleaning

As shown in the picture below, the filter is made up of 4 stainless steel mesh filters each separated by 1 of 3 smaller "O" Rings. The must be in this sequence.



- 1 black filter housing
- 4 identical stainless steel mesh filters
- 3 smaller "O" Rings that separate each mesh filter. These drop freely into the black filter housing.
- 1 larger "O" ring that is inserted last. It needs to be pushed in place as it holds the mesh assembly in the filter housing.



To disassemble gently push the filters and "O" Rings out of the filter housing into a large bowl so as not to lose any parts.

Cleaning The Mesh Filters



Gently clean each mesh filter in warm soapy water and then re-assemble in the order as shown in the picture, taking care to insert the large o-ring as the final piece of the assembly.

To Use Emergency Taps



Your i-milk has 2 manual taps located in your Spare Parts box. These taps allow you to manually pour milk from bladders in the event that your i-milk cannot dispense milk.

To use, load a bladder in a drawer or tub as normal but do not locate the connector.

Insert the spigot of the manual tap into the bladder and secure the manual tap into the key hole in the tub or drawer. This secures the tap and allows for it to be operated with one hand.

Position the drawer or tub at the edge of a bench to pour directly into a jug.

After use ensure the manual taps are thoroughly cleaned and stored back in the spare parts box for any future use.

DATE	NAME	CHECK MILK FILTER

Please duplicate this page to extend your recording.



www.i-milk.com.au